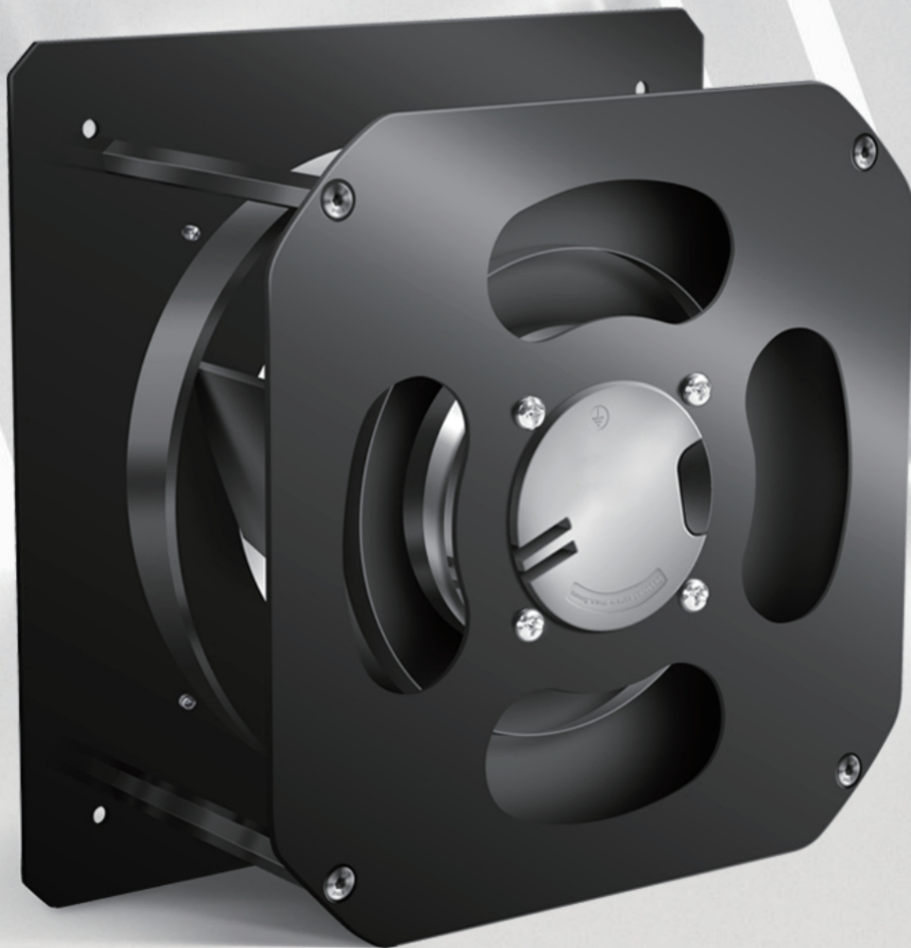


Φ133-Φ250

EC Centrifugal Plug Fans

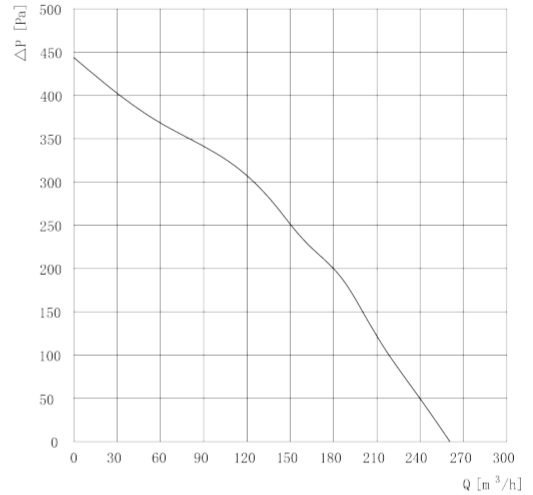


Product Characteristic

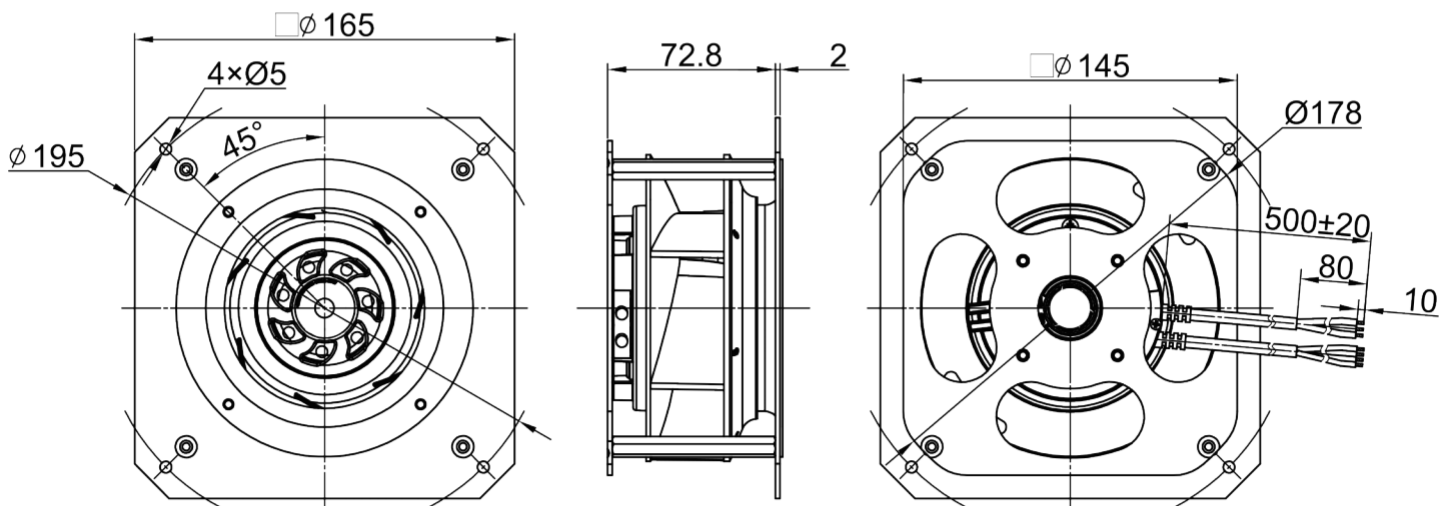


- Motor Technology: EC Outer Rotor
- Supply Voltage: 1 ~ ,230V,50/60Hz
- Mode Of Operation: S1
- Protection Class: IP55
- Insulation Class: B
- Bearings: Maintenance-free ball bearings
- Impeller Type: Backward curved
- Impeller Material: Plastic
- Rotation: C.C.W,seen on the leads
- Protection Class: -25 °C ~ +60 °C
- Certification: CE/ETL/CCC/UL
- Techniacal Feature: Control input 0-10VDC/PWM, Tech output, Locked-Rotor protection, Reverse Polarity Over-voltage protection Soft Start Protection.

Flow Rate Curve



Product Drawing



Technical Specifications

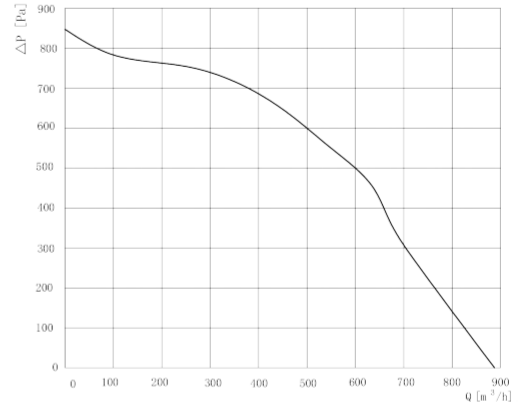
Model	Voltage	Frequency	Input Power	Current	Air Volume	Speed	Noise
LWBE133-PS-01	230V	50/60Hz	30W	0.23A	260m³/h	3800RPM	63dB(A)

Product Characteristic

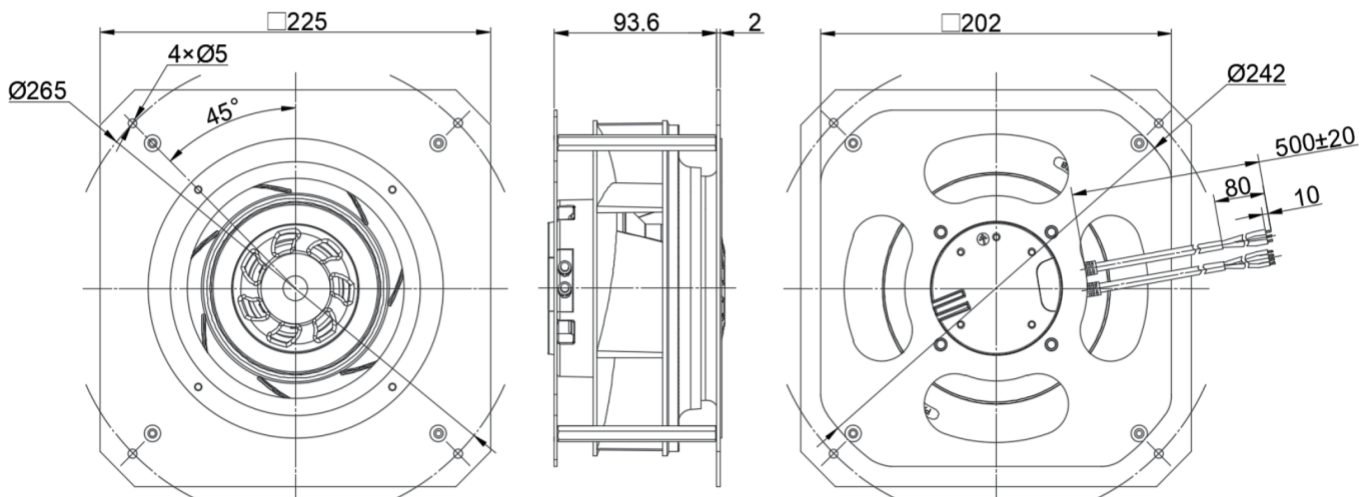
Ø175

- Motor Technology: EC Outer Rotor
- Supply Voltage: 1~,230V,50/60Hz
- Mode Of Operation: S1
- Protection Class: IP55
- Insulation Class: B
- Bearings: Maintenance-free ball bearings
- Impeller Type: Backward curved
- Impeller Material: Plastic
- Rotation: C.C.W,seen on the leads
- Protection Class: -25℃ ~ +60℃
- Certification: CE/ETL/CCC/UL
- Techniacal Feature: Control input 0-10VDC/PWM, Tech output, Locked-Rotor protection, Reverse Polarity Over-voltage protection Soft Start Protection.

Flow Rate Curve



Product Drawing



Technical Specifications

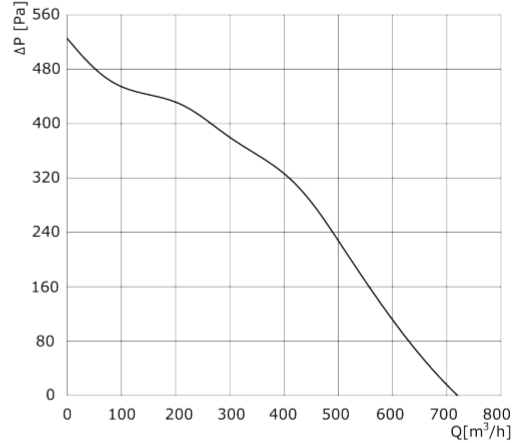
Model	Voltage	Frequency	Input Power	Current	Air Volume	Speed	Noise
LWBE175-PS-02	230V	50/60Hz	170W	1.2A	885m³/h	4760RPM	71dB(A)

Product Characteristic

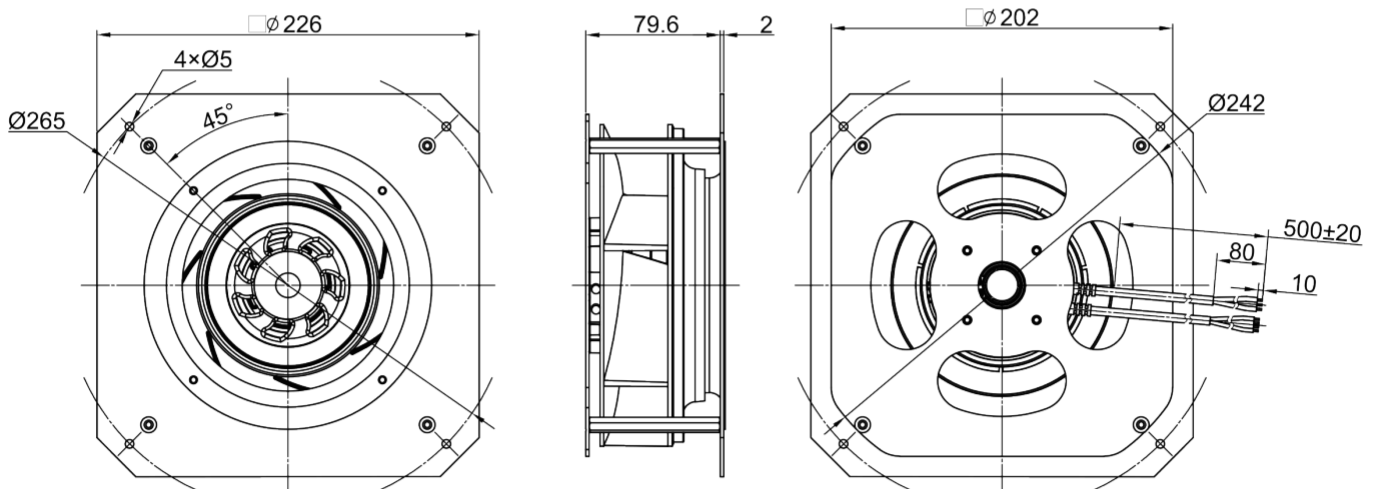


- Motor Technology: EC Outer Rotor
- Supply Voltage: 1~,230V,50/60Hz
- Mode Of Operation: S1
- Protection Class: IP55
- Insulation Class: B
- Bearings: Maintenance-free ball bearings
- Impeller Type: Backward curved
- Impeller Material: Plastic
- Rotation: C.C.W,seen on the leads
- Protection Class: -25℃ ~ +60℃
- Certification: CE/ETL/CCC/UL
- Techniacal Feature: Control input 0-10VDC/PWM, Tech output, Locked-Rotor protection, Reverse Polarity Over-voltage protection Soft Start Protection.

Flow Rate Curve



Product Drawing



Technical Specifications

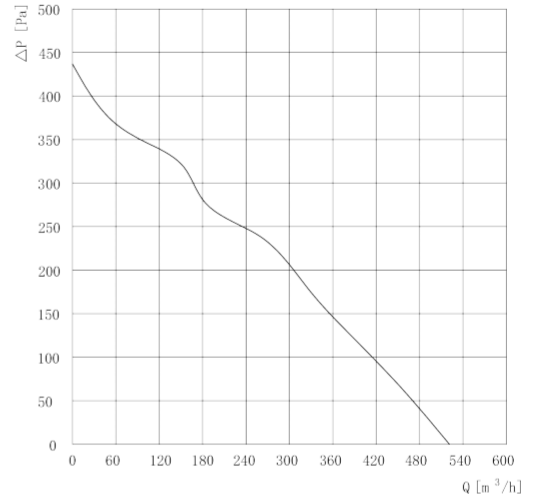
Model	Voltage	Frequency	Input Power	Current	Air Volume	Speed	Noise
LWBE175-PS-03	230V	50/60Hz	85W	0.65A	720m³/h	3300RPM	72dB(A)

Product Characteristic

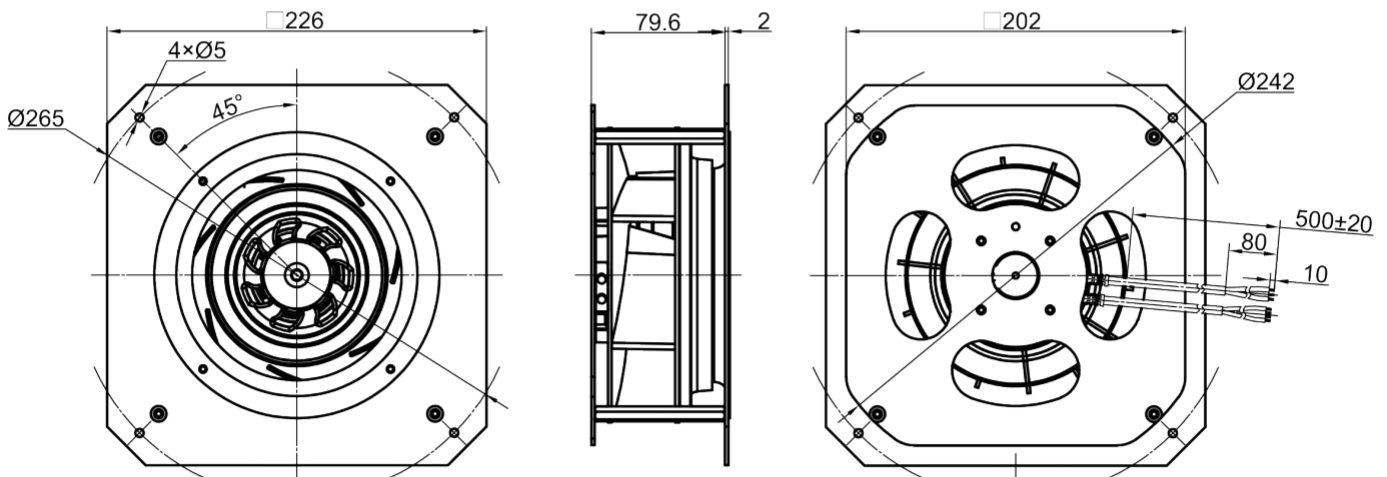
Ø175

- Motor Technology: EC Outer Rotor
- Supply Voltage: 1 ~ ,230V,50/60Hz
- Mode Of Operation: S1
- Protection Class: IP55
- Insulation Class: B
- Bearings: Maintenance-free ball bearings
- Impeller Type: Backward curved
- Impeller Material: Plastic
- Rotation: C.C.W,seen on the leads
- Protection Class: -25 C ~ +60 C
- Certification: CE/ETL/CCC/UL
- Techniacal Feature: Control input 0-10VDC/PWM, Tech output, Locked-Rotor protection, Reverse Polarity Over-voltage protection Soft Start Protection.

Flow Rate Curve



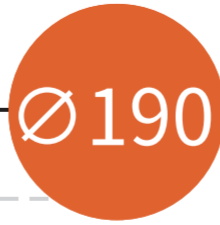
Product Drawing



Technical Specifications

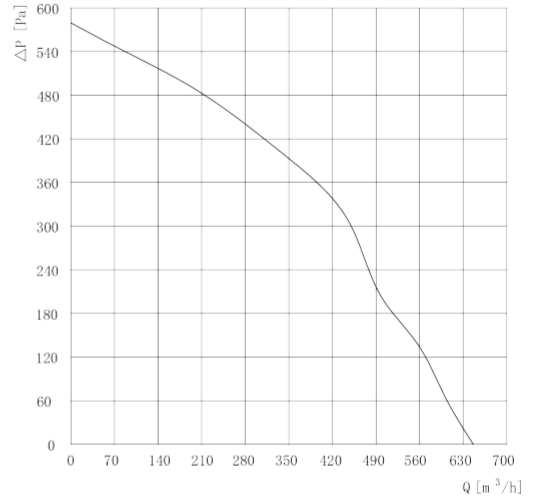
Model	Voltage	Frequency	Input Power	Current	Air Volume	Speed	Noise
LWBE175-PS-04	230V	50/60Hz	55W	0.4A	520m³/h	2800RPM	65dB(A)

Product Characteristic

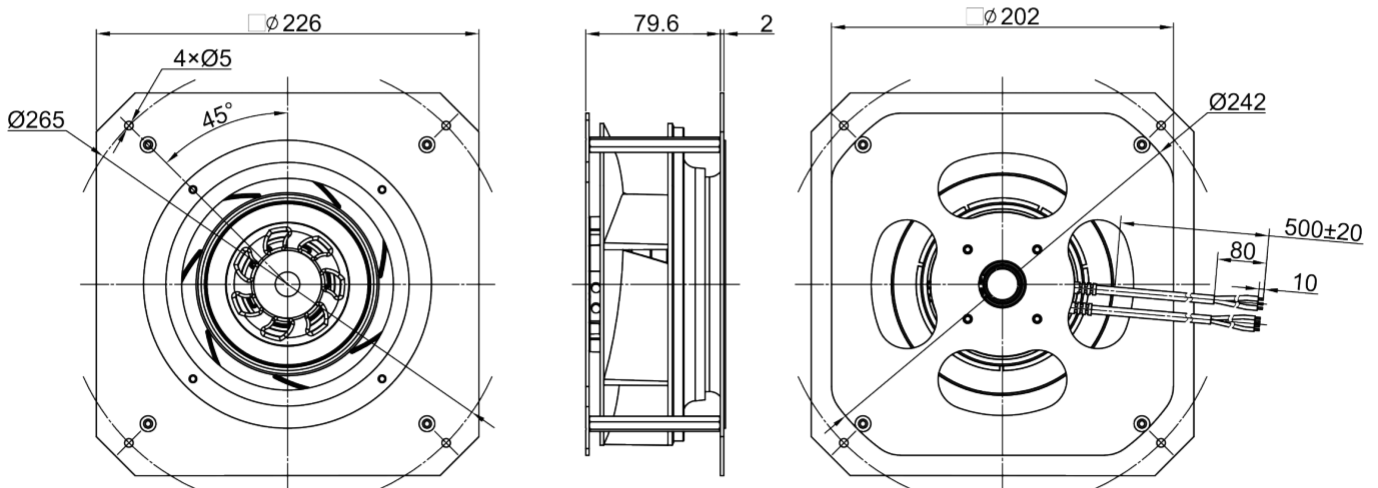


- Motor Technology: EC Outer Rotor
- Supply Voltage: 1 ~ ,230V,50/60Hz
- Mode Of Operation: S1
- Protection Class: IP55
- Insulation Class: B
- Bearings: Maintenance-free ball bearings
- Impeller Type: Backward curved
- Impeller Material: Plastic
- Rotation: C.C.W,seen on the leads
- Protection Class: -25 C ~ +60 C
- Certification: CE/ETL/CCC/UL
- Techniacal Feature: Control input 0-10VDC/PWM, Tech output, Locked-Rotor protection, Reverse Polarity Over-voltage protection Soft Start Protection.

Flow Rate Curve



Product Drawing



Technical Specifications

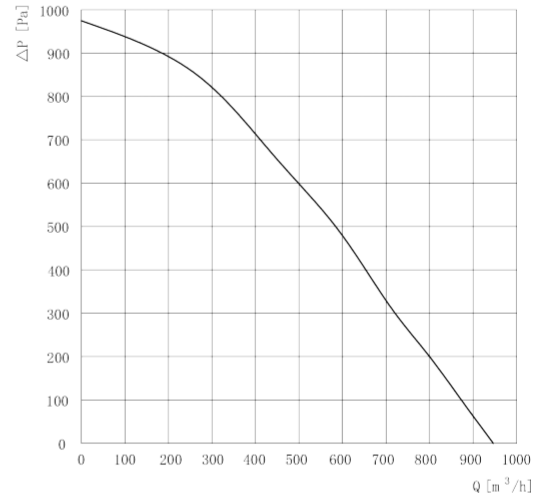
Model	Voltage	Frequency	Input Power	Current	Air Volume	Speed	Noise
LWBE190-PS-03	230V	50/60Hz	87W	0.65A	650m³/h	3300RPM	65dB(A)

Product Characteristic

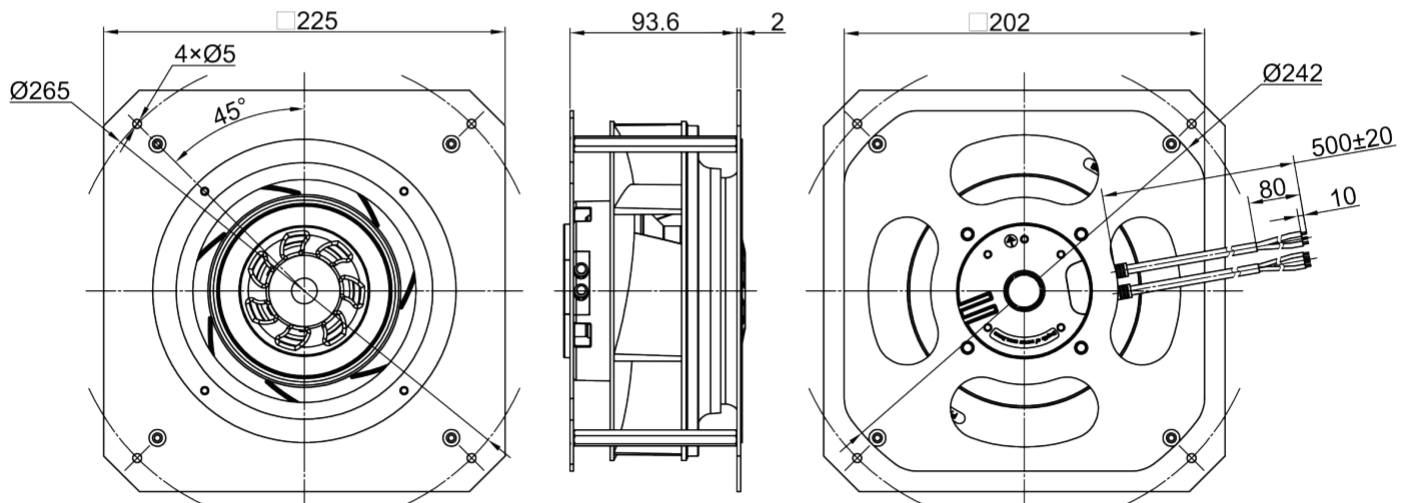
Ø 190

- Motor Technology: EC Outer Rotor
- Supply Voltage: 1 ~ ,230V,50/60Hz
- Mode Of Operation: S1
- Protection Class: IP55
- Insulation Class: B
- Bearings: Maintenance-free ball bearings
- Impeller Type: Backward curved
- Impeller Material: Plastic
- Rotation: C.C.W,seen on the leads
- Protection Class: -25 C ~ +60 C
- Certification: CE/ETL/CCC/UL
- Techniacal Feature: Control input 0-10VDC/PWM, Tech output, Locked-Rotor protection, Reverse Polarity Over-voltage protection Soft Start Protection.

Flow Rate Curve



Product Drawing



Technical Specifications

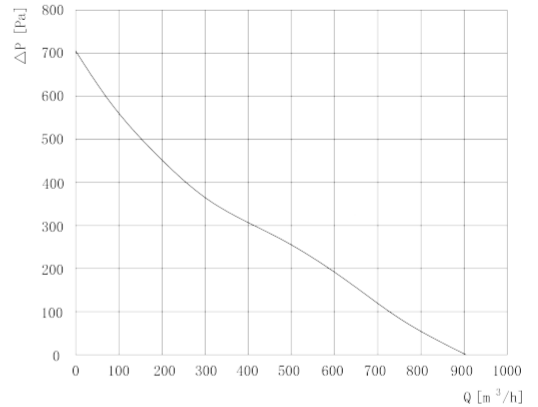
Model	Voltage	Frequency	Input Power	Current	Air Volume	Speed	Noise
LWBE190-PS-04	230V	50/60Hz	170W	1.3A	945m ³ /h	4100RPM	72dB(A)

Product Characteristic

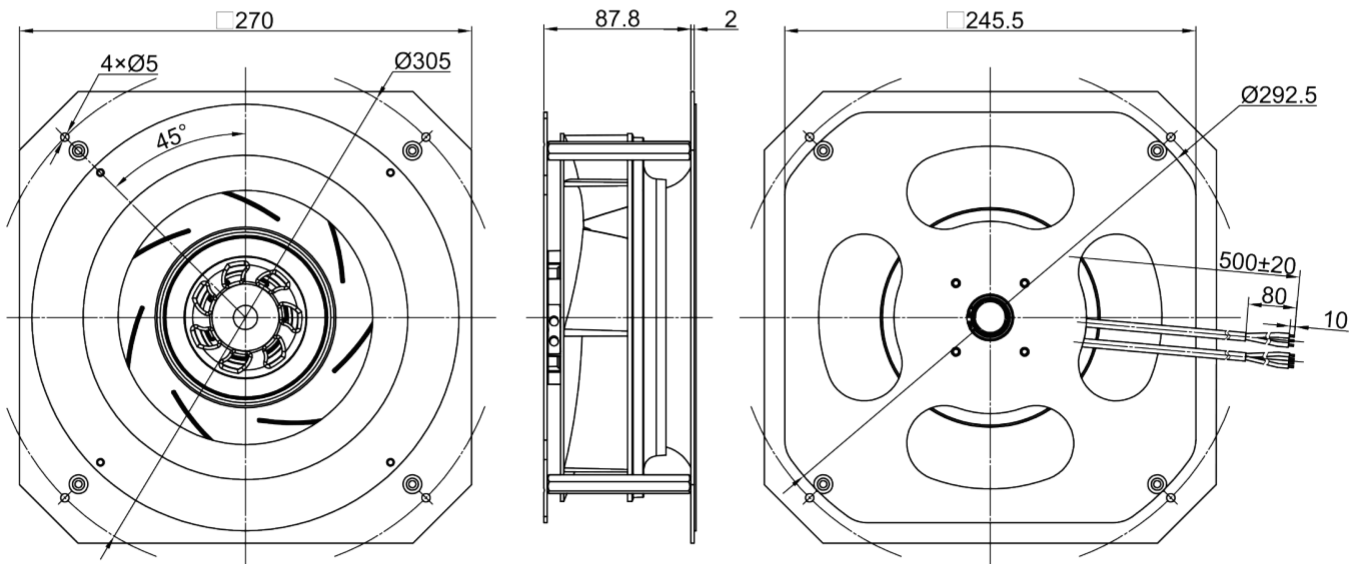


- Motor Technology: EC Outer Rotor
- Supply Voltage: 1 ~ ,230V,50/60Hz
- Mode Of Operation: S1
- Protection Class: IP55
- Insulation Class: B
- Bearings: Maintenance-free ball bearings
- Impeller Type: Backward curved
- Impeller Material: Plastic
- Rotation: C.C.W,seen on the leads
- Protection Class: -25 °C ~ +60 °C
- Certification: CE/ETL/CCC/UL
- Techniacal Feature: Control input 0-10VDC/PWM, Tech output, Locked-Rotor protection, Reverse Polarity Over-voltage protection Soft Start Protection.

Flow Rate Curve



Product Drawing



Technical Specifications

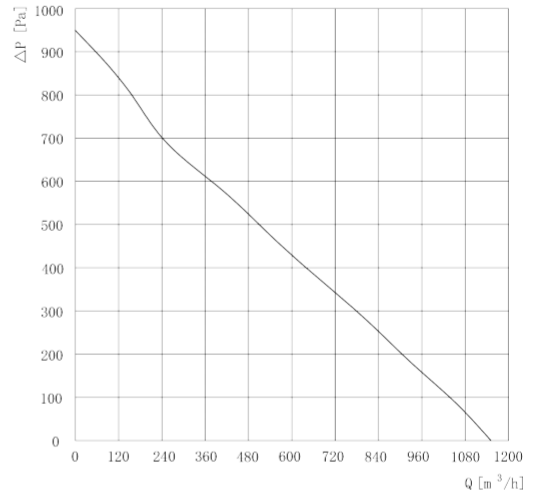
Model	Voltage	Frequency	Input Power	Current	Air Volume	Speed	Noise
LWBE220-PS-04	230V	50/60Hz	86W	0.71A	910m³/h	2470RPM	68dB(A)

Product Characteristic

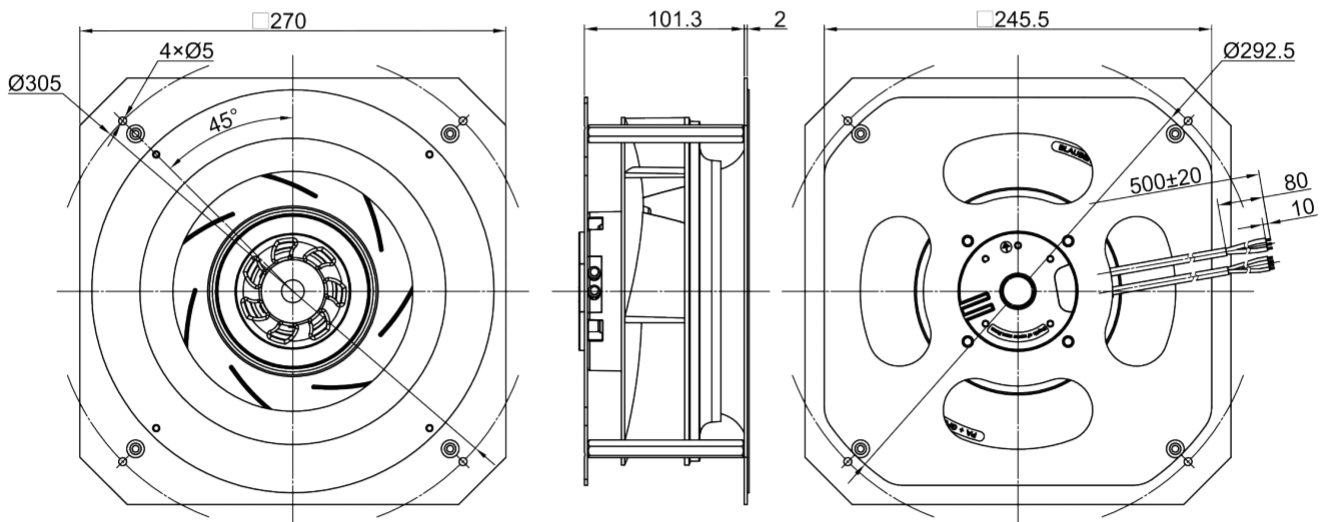
Ø220

- Motor Technology: EC Outer Rotor
- Supply Voltage: 1~,230V,50/60Hz
- Mode Of Operation: S1
- Protection Class: IP55
- Insulation Class: B
- Bearings: Maintenance-free ball bearings
- Impeller Type: Backward curved
- Impeller Material: Plastic
- Rotation: C.C.W,seen on the leads
- Protection Class: -25℃ ~ +60℃
- Certification: CE/ETL/CCC/UL
- Technical Feature: Control input 0-10VDC/PWM, Tech output, Locked-Rotor protection, Reverse Polarity Over-voltage protection Soft Start Protection.

Flow Rate Curve



Product Drawing



Technical Specifications

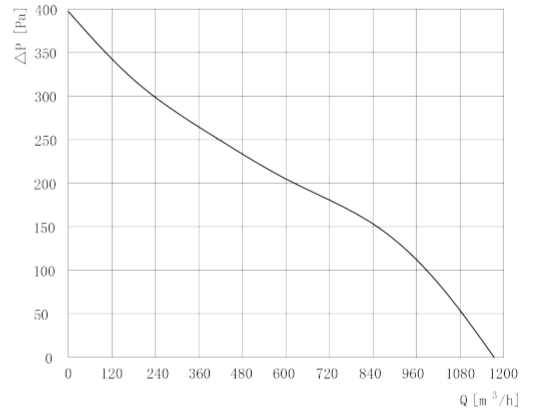
Model	Voltage	Frequency	Input Power	Current	Air Volume	Speed	Noise
LWBE220-PS-05	230V	50/60Hz	168W	1.27A	1150m³/h	3250RPM	70dB(A)

Product Characteristic

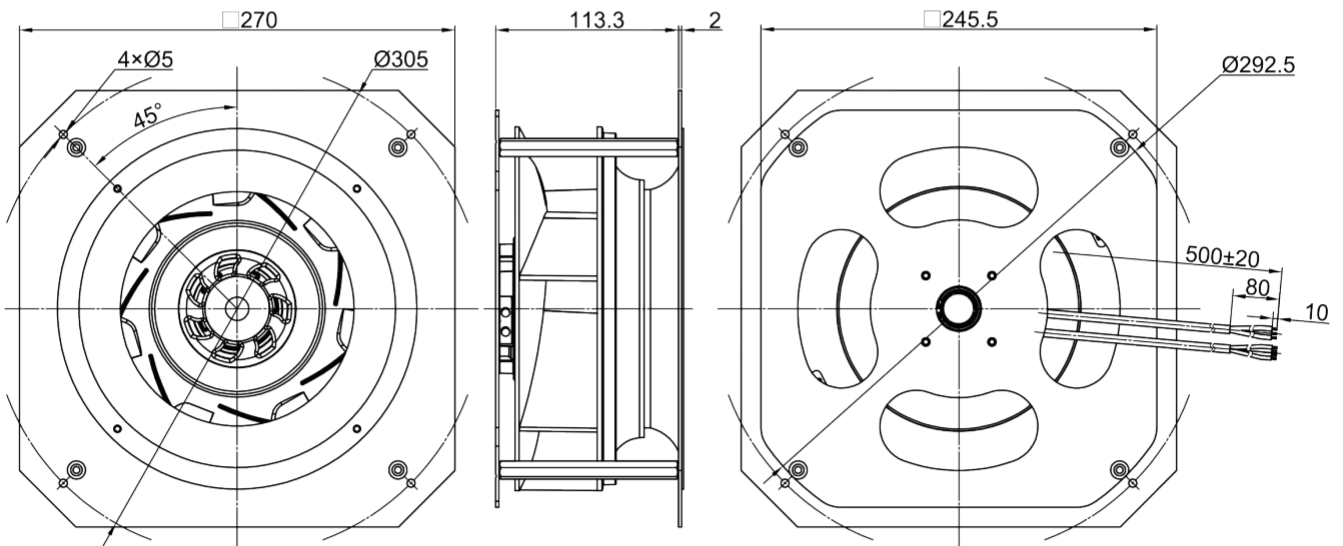


- Motor Technology: EC Outer Rotor
- Supply Voltage: 1 ~ ,230V,50/60Hz
- Mode Of Operation: S1
- Protection Class: IP55
- Insulation Class: B
- Bearings: Maintenance-free ball bearings
- Impeller Type: Backward curved
- Impeller Material: Plastic
- Rotation: C.C.W,seen on the leads
- Protection Class: -25 °C ~ +60 °C
- Certification: CE/ETL/CCC/UL
- Techniacal Feature: Control input 0-10VDC/PWM, Tech output, Locked-Rotor protection, Reverse Polarity Over-voltage protection Soft Start Protection.

Flow Rate Curve



Product Drawing



Technical Specifications

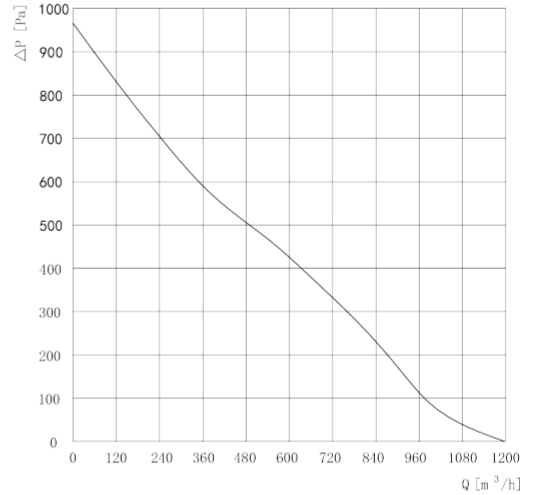
Model	Voltage	Frequency	Input Power	Current	Air Volume	Speed	Noise
LWBE225-PS-03	230V	50/60Hz	85W	0.7A	1170m³/h	2450RPM	65dB(A)

Product Characteristic

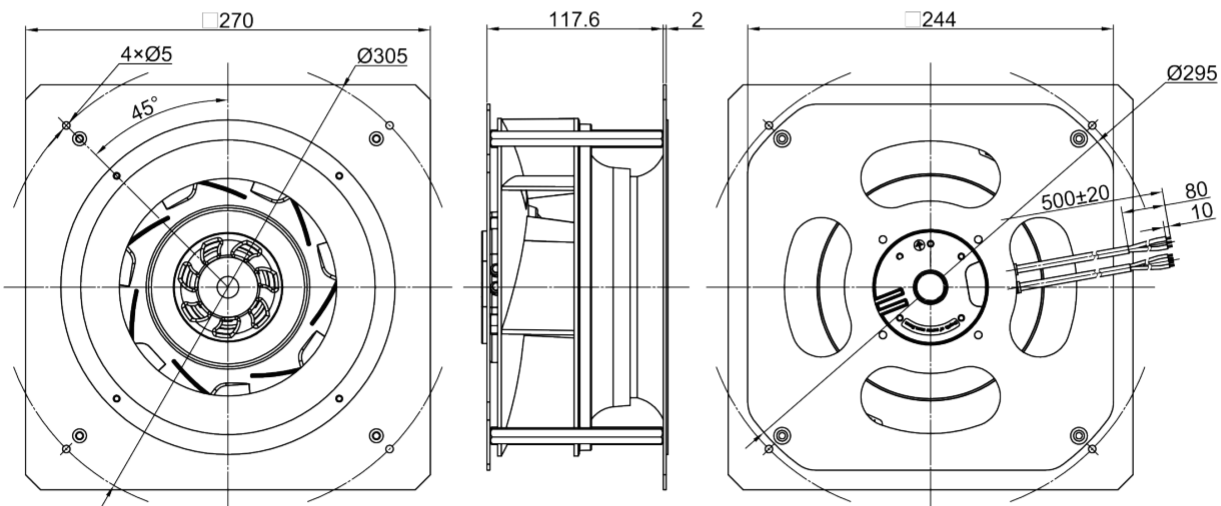
Ø225

- Motor Technology: EC Outer Rotor
- Supply Voltage: 1 ~ ,230V,50/60Hz
- Mode Of Operation: S1
- Protection Class: IP55
- Insulation Class: B
- Bearings: Maintenance-free ball bearings
- Impeller Type: Backward curved
- Impeller Material: Plastic
- Rotation: C.C.W,seen on the leads
- Protection Class: -25 C ~ +60 C
- Certification: CE/ETL/CCC/UL
- Technical Feature: Control input 0-10VDC/PWM, Tech output, Locked-Rotor protection, Reverse Polarity Over-voltage protection Soft Start Protection.

Flow Rate Curve



Product Drawing



Technical Specifications

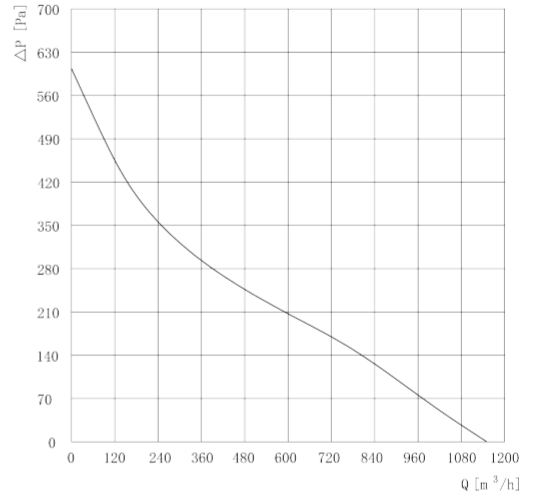
Model	Voltage	Frequency	Input Power	Current	Air Volume	Speed	Noise
LWBE225-PS-04	230V	50/60Hz	168W	1.26A	1190m³/h	2950RPM	70dB(A)

Product Characteristic

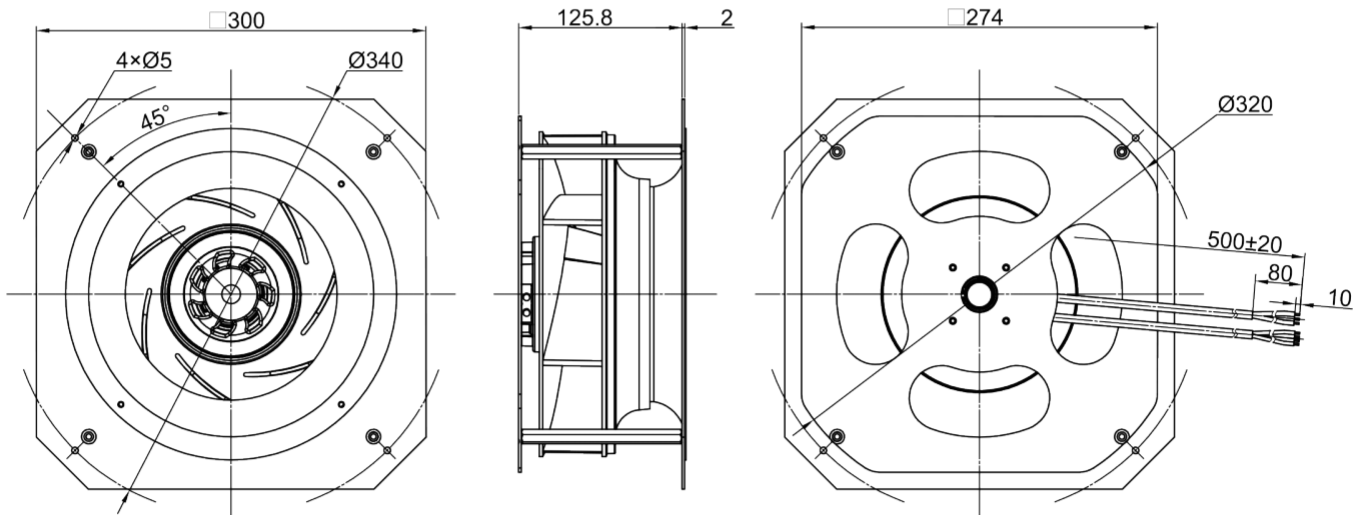


- Motor Technology: EC Outer Rotor
- Supply Voltage: 1 ~ ,230V,50/60Hz
- Mode Of Operation: S1
- Protection Class: IP55
- Insulation Class: B
- Bearings: Maintenance-free ball bearings
- Impeller Type: Backward curved
- Impeller Material: Plastic
- Rotation: C.C.W,seen on the leads
- Protection Class: -25 C ~ +60 C
- Certification: CE/ETL/CCC/UL
- Techniacal Feature: Control input 0-10VDC/PWM, Tech output, Locked-Rotor protection, Reverse Polarity Over-voltage protection Soft Start Protection.

Flow Rate Curve



Product Drawing



Technical Specifications

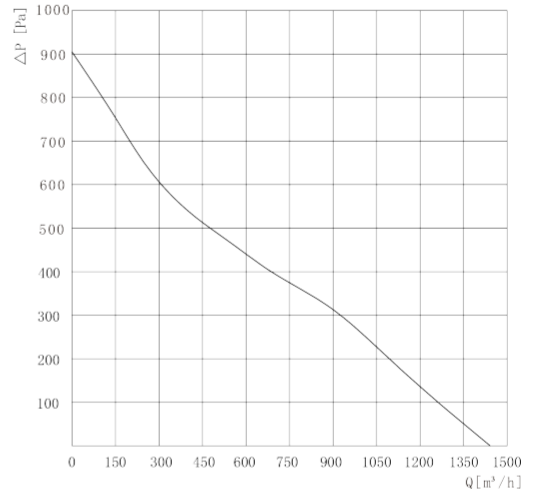
Model	Voltage	Frequency	Input Power	Current	Air Volume	Speed	Noise
LWBE250-PS-06	230V	50/60Hz	85W	0.68A	1150m³/h	1810RPM	62dB(A)

Product Characteristic

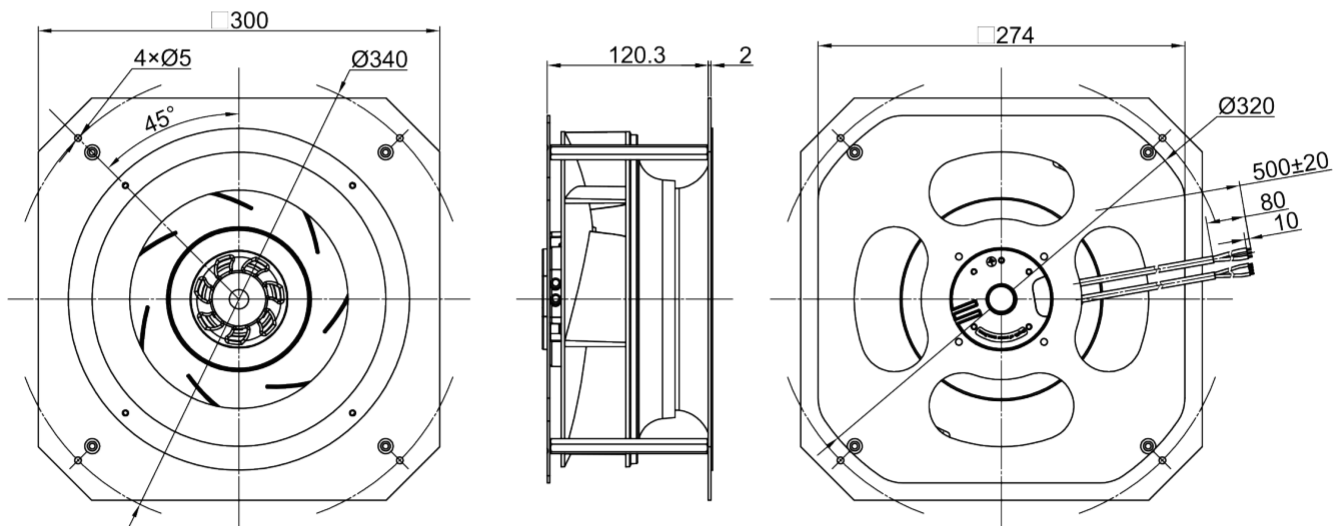
Ø250

- Motor Technology: EC Outer Rotor
- Supply Voltage: 1~,230V,50/60Hz
- Mode Of Operation: S1
- Protection Class: IP55
- Insulation Class: B
- Bearings: Maintenance-free ball bearings
- Impeller Type: Backward curved
- Impeller Material: Plastic
- Rotation: C.C.W,seen on the leads
- Protection Class: -25℃ ~ +60℃
- Certification: CE/ETL/CCC/UL
- Technical Feature: Control input 0-10VDC/PWM, Tech output, Locked-Rotor protection, Reverse Polarity Over-voltage protection Soft Start Protection.

Flow Rate Curve



Product Drawing



Technical Specifications

Model	Voltage	Frequency	Input Power	Current	Air Volume	Speed	Noise
LWBE250-PS-07	230V	50/60Hz	169W	1.27A	1435m³/h	2570RPM	71dB(A)

Φ250-Φ400

EC Centrifugal Plug Fans

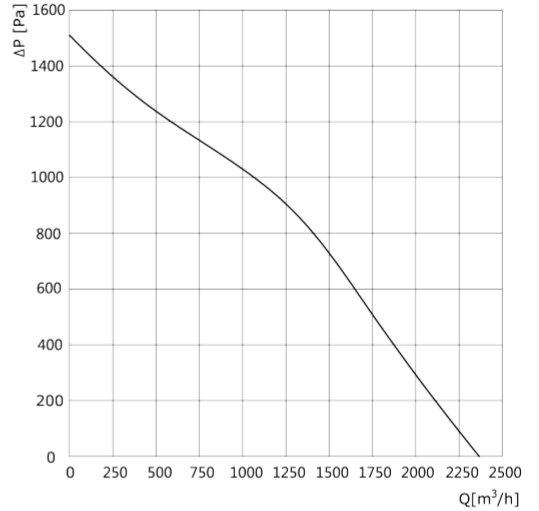


Product Characteristic

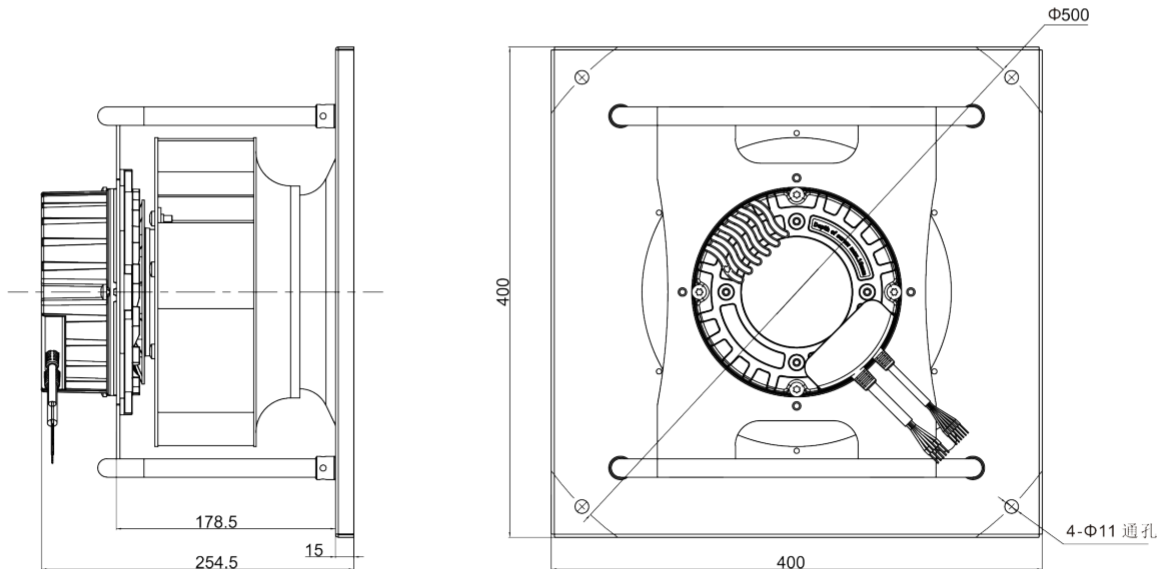


- Motor Technology: EC Outer Rotor
- Supply Voltage: 1 ~ ,230V,50/60Hz
- Mode Of Operation: S1
- Protection Class: IP55
- Insulation Class: F
- Bearings: Maintenance-free ball bearings
- Impeller Type: Backward curved
- Impeller Material: Metal
- Rotation: C.C.W,seen on the leads
- Protection Class: -25℃ ~ +60℃
- Certification: CE/ETL/CCC/UL
- Techniacal Feature: Control input 0-10VDC/PWM,Tech output,Locked-Rotor protection,Reverse Polarity Over-voltage protection Soft Start Protection.

Flow Rate Curve



Product Drawing



Technical Specifications

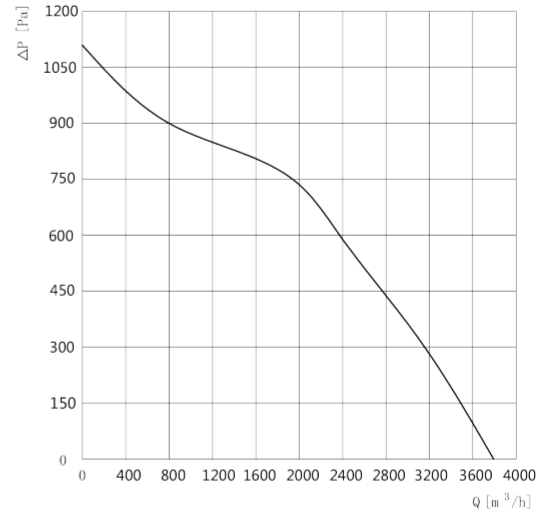
Model	Voltage	Frequency	Input Power	Current	Air Volume	Speed	Noise
LWBE250-PS-08	230V	50/60Hz	520W	2.5A	2400m³/h	3650RPM	85dB(A)

Product Characteristic

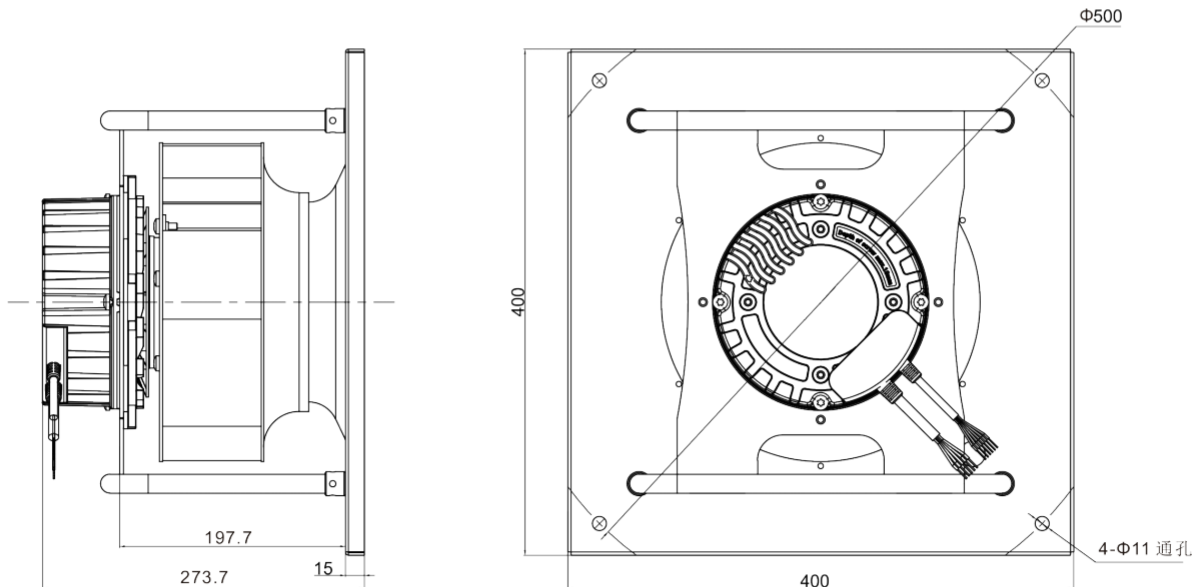
Ø280

- Motor Technology: EC Outer Rotor
- Supply Voltage: 1~,230V,50/60Hz
- Mode Of Operation: S1
- Protection Class: IP55
- Insulation Class: F
- Bearings: Maintenance-free ball bearings
- Impeller Type: Backward curved
- Impeller Material: Metal
- Rotation: C.C.W,seen on the leads
- Protection Class: -25℃ ~ +60℃
- Certification: CE/ETL/CCC/UL
- Technical Feature: Control input 0-10VDC/PWM, Tech output, Locked-Rotor protection, Reverse Polarity Over-voltage protection Soft Start Protection.

Flow Rate Curve



Product Drawing



Technical Specifications

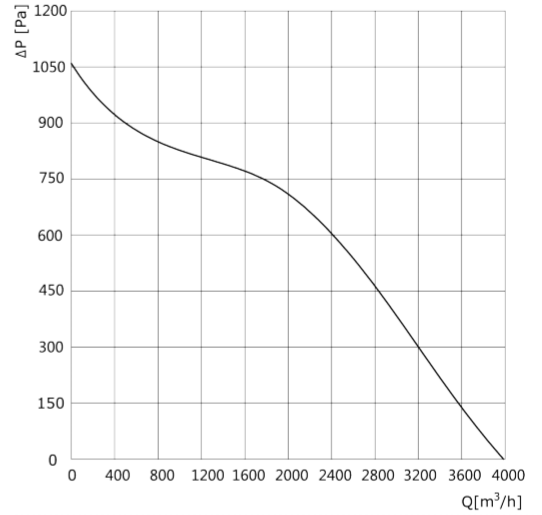
Model	Voltage	Frequency	Input Power	Current	Air Volume	Speed	Noise
LWBE280-PS-04	230V	50/60Hz	700W	3.1A	3750m³/h	3270RPM	85dB(A)

Product Characteristic

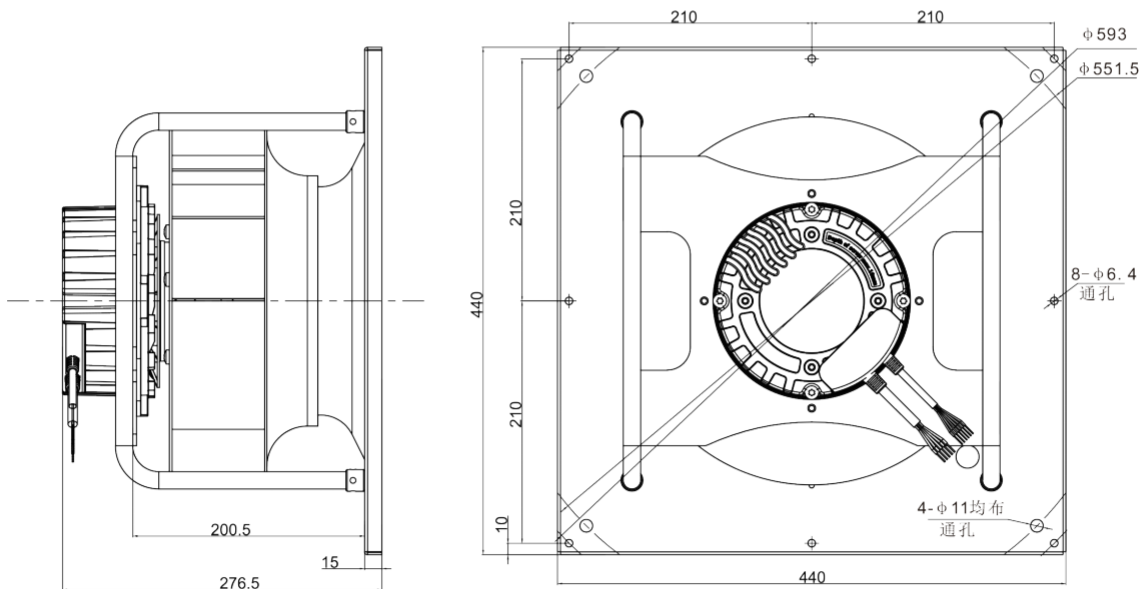


- Motor Technology: EC Outer Rotor
- Supply Voltage: 1 ~ ,230V,50/60Hz
- Mode Of Operation: S1
- Protection Class: IP55
- Insulation Class: F
- Bearings: Maintenance-free ball bearings
- Impeller Type: Backward curved
- Impeller Material: Metal
- Rotation: C.C.W,seen on the leads
- Protection Class: -25 C ~ +60 C
- Certification: CE/ETL/CCC/UL
- Techniacal Feature: Control input 0-10VDC/PWM, Tech output, Locked-Rotor protection, Reverse Polarity Over-voltage protection Soft Start Protection.

Flow Rate Curve



Product Drawing



Technical Specifications

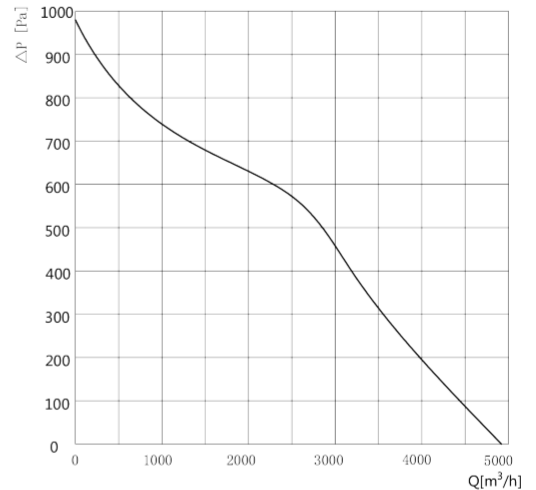
Model	Voltage	Frequency	Input Power	Current	Air Volume	Speed	Noise
LWBE310-PS-03	230V	50/60Hz	700W	3.1A	3950m³/h	2960RPM	85dB(A)

Product Characteristic

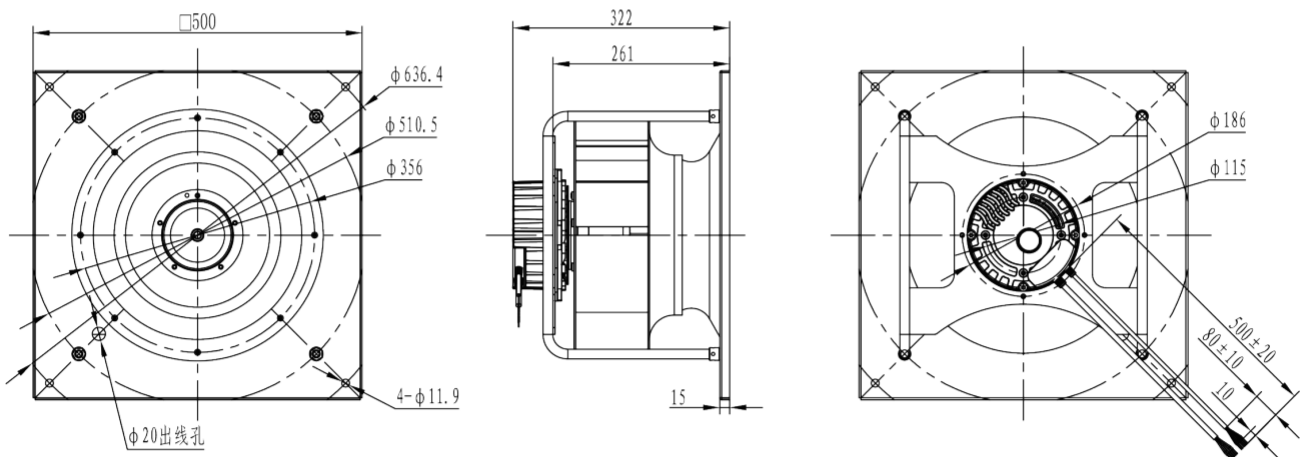
Ø355

- Motor Technology: EC Outer Rotor
- Supply Voltage: 1 ~ ,230V,50/60Hz
- Mode Of Operation: S1
- Protection Class: IP55
- Insulation Class: F
- Bearings: Maintenance-free ball bearings
- Impeller Type: Backward curved
- Impeller Material: Metal
- Rotation: C.C.W,seen on the leads
- Protection Class: -25℃ ~ +60℃
- Certification: CE/ETL/CCC/UL
- Technical Feature: Control input 0-10VDC/PWM, Tech output, Locked-Rotor protection, Reverse Polarity Over-voltage protection Soft Start Protection.

Flow Rate Curve



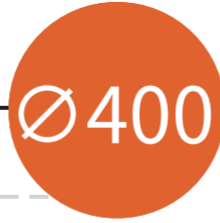
Product Drawing



Technical Specifications

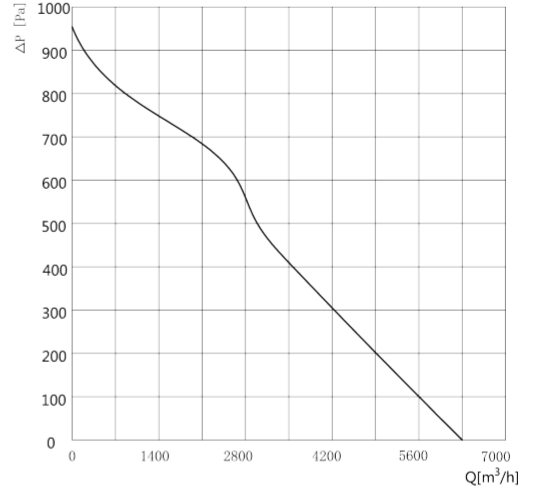
Model	Voltage	Frequency	Input Power	Current	Air Volume	Speed	Noise
LWBE355-PS-05	230V	50/60Hz	700W	3.1A	4900m³/h	2200RPM	85dB(A)

Product Characteristic

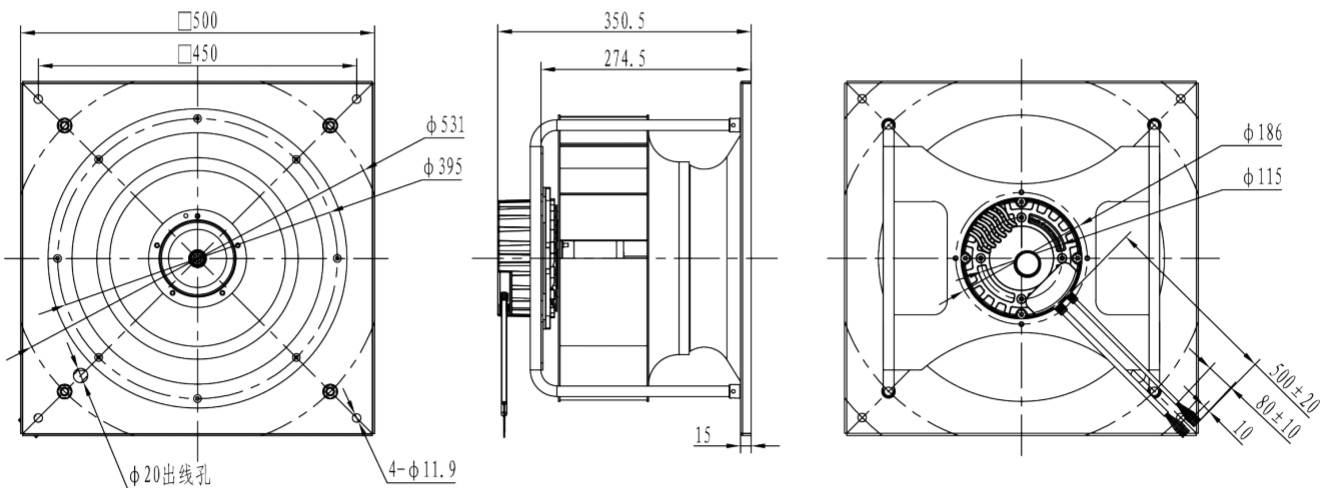


- Motor Technology: EC Outer Rotor
- Supply Voltage: 1 ~ ,230V,50/60Hz
- Mode Of Operation: S1
- Protection Class: IP55
- Insulation Class: F
- Bearings: Maintenance-free ball bearings
- Impeller Type: Backward curved
- Impeller Material: Metal
- Rotation: C.C.W,seen on the leads
- Protection Class: -25 C ~ +60 C
- Certification: CE/ETL/CCC/UL
- Techniacal Feature: Control input 0-10VDC/PWM, Tech output, Locked-Rotor protection, Reverse Polarity Over-voltage protection Soft Start Protection.

Flow Rate Curve



Product Drawing



Technical Specifications

Model	Voltage	Frequency	Input Power	Current	Air Volume	Speed	Noise
LWBE400-PS-05	230V	50/60Hz	700W	3.1A	6300m³/h	1800RPM	85dB(A)